


Edition/ actualisation date	<b>Product Card</b>		Page 1 from 3
2015-03-05 / 2015-03-05			
Name of the machine	<b>Harvester JAREK 5</b>		

## Purpose

JAREK 5 is the latest version of the half-row harvester to gather currants. With just a single pass, the harvester picks up all the fruits from one side of a row. For the best drive, it's recommended to use a tractor with low working speed.

JAREK 5 is characterized by high quality workmanship and simple design. This allows for the customization of the machine according to customer needs and changing of the configuration at any time.

The drive workgroups are fully hydraulic.

The tractor's PTO drives the harvester through a hydraulic pump gear. The harvester's design enables installation of one or two shakers.


The accuracy of fruit harvest depends on the size of the shrubs and cultivation of the plantation.

The average accuracy of harvesting the fruit reaches 99% and the amount of impurities and damaging the fruit does not exceed 1%.

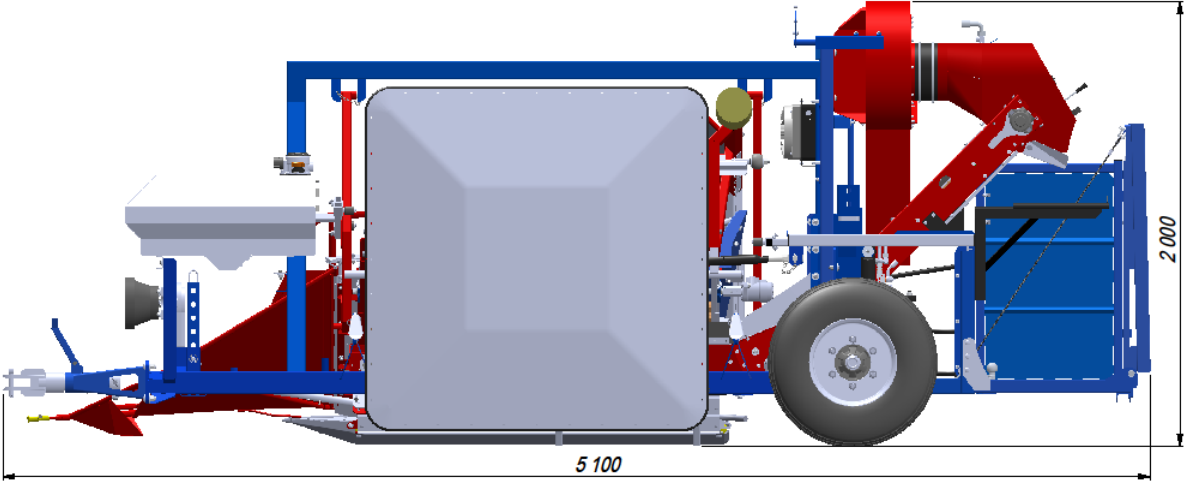
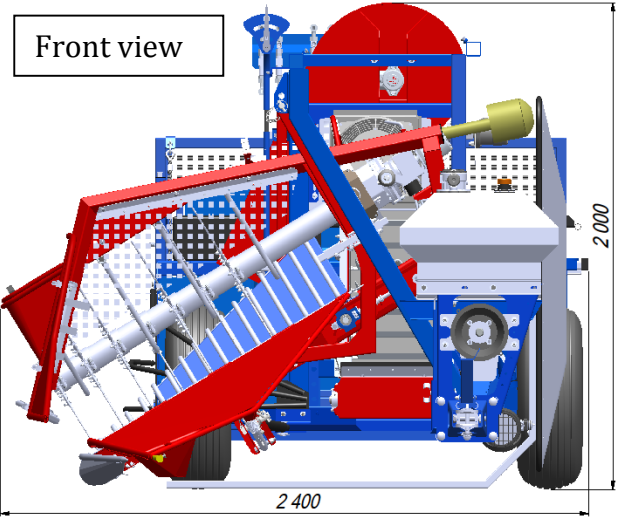
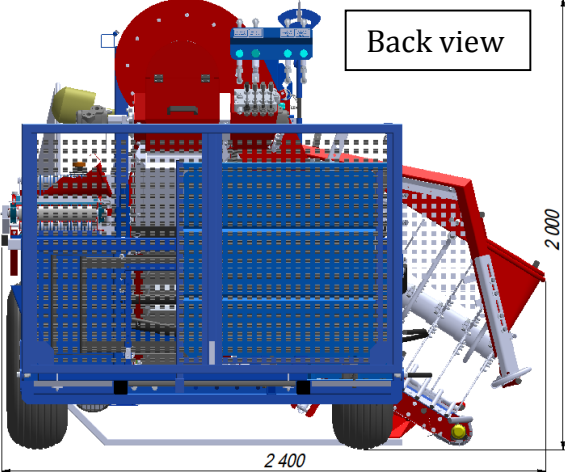


## Technical specifications

Method of attaching		Hook to the tractor joist. Cat. 2	
Drive		External hydraulics of the tractor - control of harvester's operating assembly. Drive of workgroups - hydraulic pump through the transmission.	
Tractor power demand		Min. 22/30 Kw/KM	
Working speed		0,6 - 1,5 km/h	
Output		0,1 - 0,2 ha/h	
Width		2 400 mm	
Length		6 100 mm	
Height		2 500 mm (without roof = 2 000 mm)	
Weight		1 850 kg	
Operators		Tractor operator + 1	
Fruit collection	Boxes	400 * 600 * 200 mm	
	Box pallets (currants and choke berries)	1000 * 1200 * 790 mm	Assembly rolls on the platform with the attached self-unloading trolley (1 box pallet)
			Assembly rolls on the platform (1 box pallet) with the attached self-unloading trolley (3 box pallets)
			Attached sel-unloading trolley (3 box pallets). Slide of fruits from additional horizontal conveyor. Back working platform dismantled.


Edition/ actualisation date 2015-03-05 / 2015-03-05	<b>Product Card</b>		Page 2 from 3
Name of the machine	<b>Harvester JAREK 5</b>		

## Dispatch data

Length	Side view	
5 100 mm		
Height		
2 000 mm		
Width	Front view	Back view
2 400 mm		
Height		
2 000 mm		

## Optional equipment and axis ride configuration:

Configuration name	Power of hydraulics	Control	
Hydraulic slide of joist	From tractor's hydraulics	From tractor's cabin	
Axis ride – stiff, steered wheels	From tractor's hydraulics	From tractor's cabin	
	From harvester's hydraulics	From tractor's back	From the left side From the right side
Axis ride – hydraulic lifting and lowering of the harvester's carrier; steered wheels	From tractor's hydraulic	From tractor's cabin	
	From harvester's hydraulics	From harvester's back	From the left side From the right side

Edition/ <b>actualisation date</b> 2015-03-05 / 2015-03-05	<b>Product Card</b>		Page 3 from 3
Name of the machine	<b>Harvester JAREK 5</b>		

### **Additional options:**

Control of hydraulic valves:

- manual
- electrical (solenoid)

Shaking elements ('fingers'):

- metal
- plastic